

# Four-Wheel Drive Rough Terrain Forklift

with capacities of 5,000 to 7,000lbs



*The World of Hangcha*  
SINCE 1956





## CONCEPT

The multipurpose concept refers to the capability of the forklift truck to work in many different areas, with a great performance no matter how hard the conditions are.

We studied all the specifications of the best forklifts in the world, specialized in industrial and rough terrain types, determining the characteristics that makes a forklift work well in an industrial environment. After that, we combined such information, to prepare the basis of the design of our product.



## INTRODUCTION

Hangcha 5000-7000lbs 4W rough terrain forklifts is a tough, compact forklift with a four-wheel drive system. It is based on two-wheel drive rough terrain forklift, adopt Kubota diesel engine. It is world renowned for superior performance, economy and longevity.



# 6 reasons

choose

Four-Wheel Drive

Rough Terrain Forklift

- ▶ **RELIABILITY**
- ▶ **PRODUCTIVITY**
- ▶ **ENVIRONMENTAL FRIENDLINESS**
- ▶ **COMFORTABLE OPERATION**
- ▶ **EASY MAINTENANCE**
- ▶ **HIGH PERFORMANCE**





# RELIABILITY

The full-floating hydraulic transmission gearbox, with 4WD switch function, can provide higher running speed and stronger gradeability;



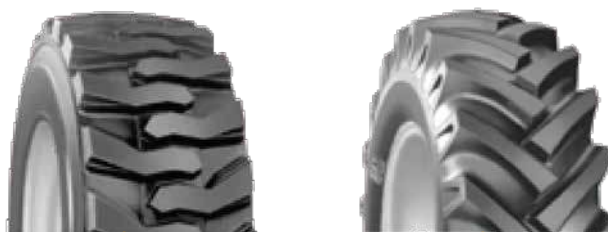
Higher specification fork mounting level-3B, more weight can be loaded.

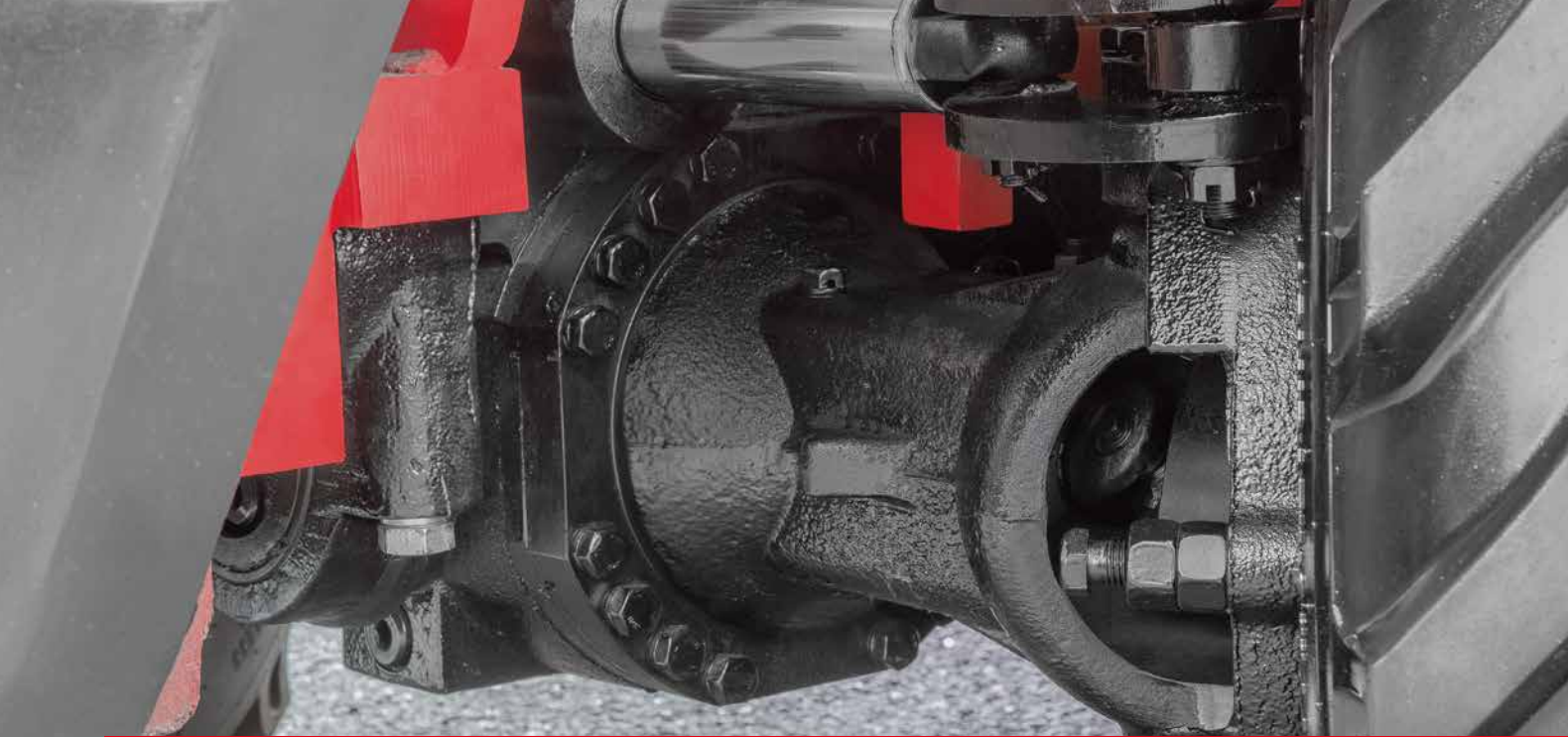
## Wide-base deep tread tyres

The drive axle is equipped with wide-base deep tread tires, wet brake, differential mechanism with electronic lock, as well as reinforced steering drive axle, and can better adapt to special working conditions.

Front tyre:14-17.5

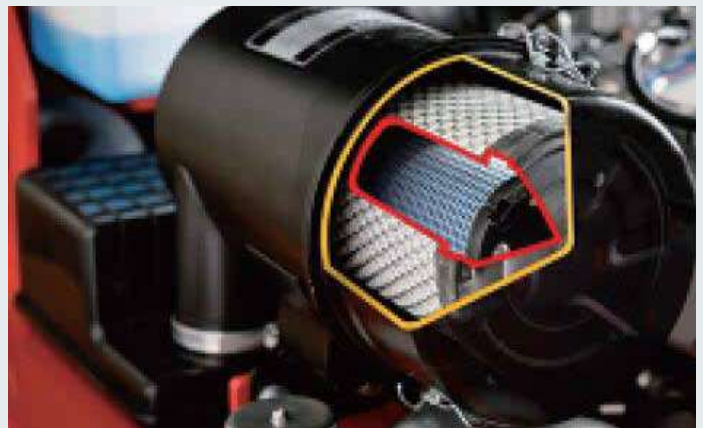
Rear tyre:10.0/75-15.3





***Oscillating steer axle allows either wheel to step over obstacles keeping the truck and load level.***

Pre-cleaner, extra capacity combined radiator with serpentine wave and optimized heat dissipation channel enhance the heat dissipation capability to keep engine reliability even in heavy-duty applications.



The differential is specifically designed for rough terrain and features manual differential lock providing ultimate traction during inclement weather conditions and rough operating surfaces, it differential lock prevents power loose when one wheel spins.





# HANGCHA be with you at every stage

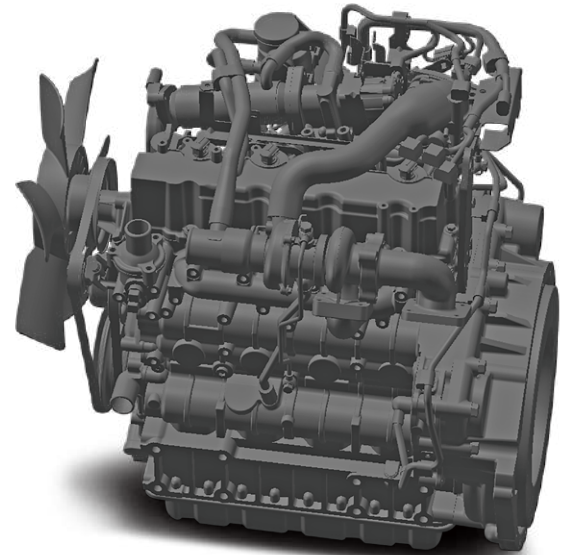
Efficient, reliable solutions for your demands

## TIER 4F

With Hangcha you can meet all Tier 4f emissions standards which provides customer demands for value, innovation and performance. The technologies include common rail fuel systems, diesel oxidation catalysts (DOC) and diesel particulate filters (DPF). Designed and optimised to every engine model, our forklift truck maximises efficiency and reliability.



Interactive instrument: The instrument adopts 4.0-inch color LCD display with four interactive buttons, and has one CAN bus communication function. The communication protocol is compatible with SAE J1939 standards.



**KUBOTA**

## COMFORTABLE OPERATION

*In developing the rough terrain forklift, comfort and easy operation is always considered, for example, improved vibrating levels, compound engine damper and full floating seat and cabin are all applied.*

*Comfortable also contribute to increased productivity and reduced the noise.*



# PRODUCTIVITY



The new Dynamic load sensing hydraulic steering system contributes to reduce loss of hydraulic and improve energy efficiency.



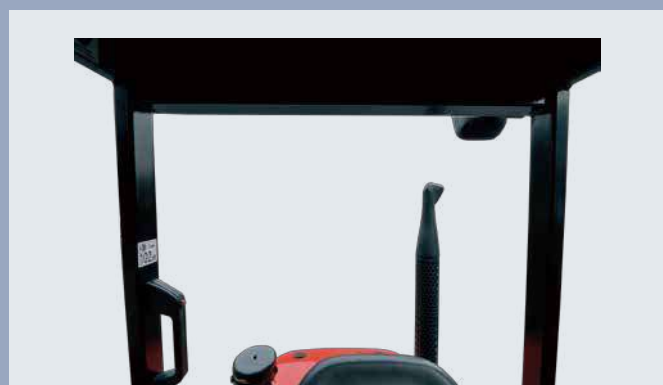
The new efficiency lighting system employs LED illuminant and new type reflector to reduce energy consumption, improve significantly illumination performance and prolong work time.



**1.** In addition to rubber damper between frames and steering axle, compound engine damper and full floating power train achieve flexible connection between frames and driving system, as a result, traveling vibrations and vibrations from the driving system are significantly reduced.



**2.** The extra foot space is provided to reduce operator fatigue significantly, non-slip step makes getting in and out easy and safe. The new designed steering wheel, new brake system and the easy-to-operate levers provide total handling operation.



**3.** Optimized designing structure to offer a good visibility.



**4.** The new design mast provides broad forward visibility due to the longer distance between inside mast.



Simple/  
Solid/  
Smart





# EASY MAINTENANCE



Newly-developed LCD instrument has more comprehensive functions and more stable performance and entirely displays the full truck state, fault code and other important information, which can make the operator more intuitively and conveniently have a better knowledge of truck state and make the maintenance conveniently.



Adoption of new generation integrated electric box makes maintenance and repair convenient, layout becomes more reasonable and with better water-proof performance.



The easy-to-open hook provides quick access to the engine compartment.



Wet brake offers maximum service life for your brake system.

- / The cover on the Panel can be lifted up simply to check the brake fluid.
- / The two-piece design makes the floorboard easy to lift and remove for access to the power train.
- / The fasteners of the radiator cover can be turned easily by hand to enable quick inspections or servicing.



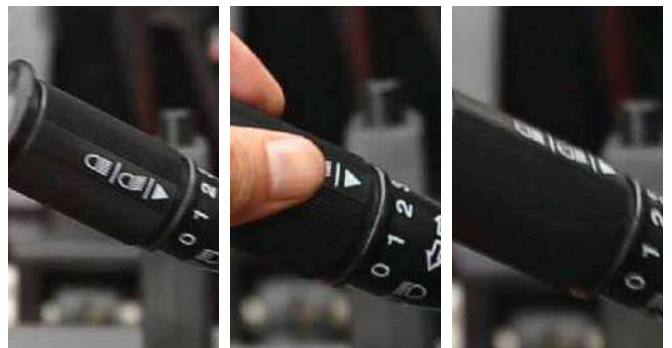
# FOUR-WHEEL DRIVE ROUGH TERRAIN FORKLIFT

## HIGH PERFORMANCE



### *Maneuverability*

The distance to ground is 10.6inch for 6000lbs, it offers greater maneuverability and keep the truck moving in the roughest of applications, and yet we keep a very low center of gravity, by using a distributed weight in the forklift, giving it an excellent stability.



### *Three forward gears*

Suspension hydraulic transmission with three forward gears, top speed reach 16.2mp/h.





## Standard specification

- / Suspension transmission
- / Differential lock
- / 4-wheel drive system
- / Suspension seat
- / Return oil filter
- / Big capacity aluminum radiator
- / Air filter
- / Front working light
- / Strobe light
- / Cover for tilt cylinder
- / Rear handle with horn
- / Wider fork carriage
- / Wider load backrest
- / LED combination lights

## Options

- / Cabin
- / Heater
- / Front window
- / L/R mirror
- / Fire extinguisher
- / OPS system
- / Auxiliary hydraulic valve
- / Rear working light
- / Triplex wide view free-lift mast
- / Special forks
- / Attachments
- / Customer painting
- / Air condition

# Four-Wheel Drive Rough Terrain Forklift 5000-7000lbs

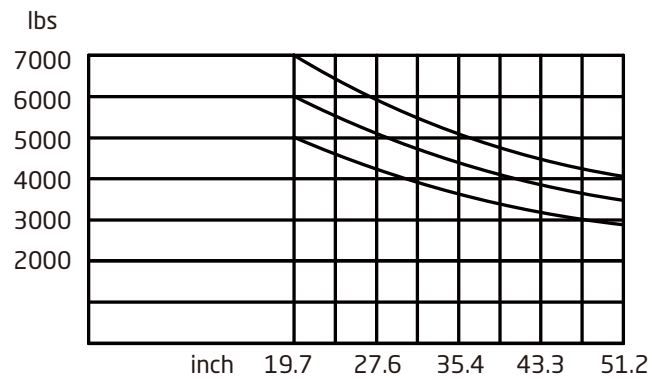
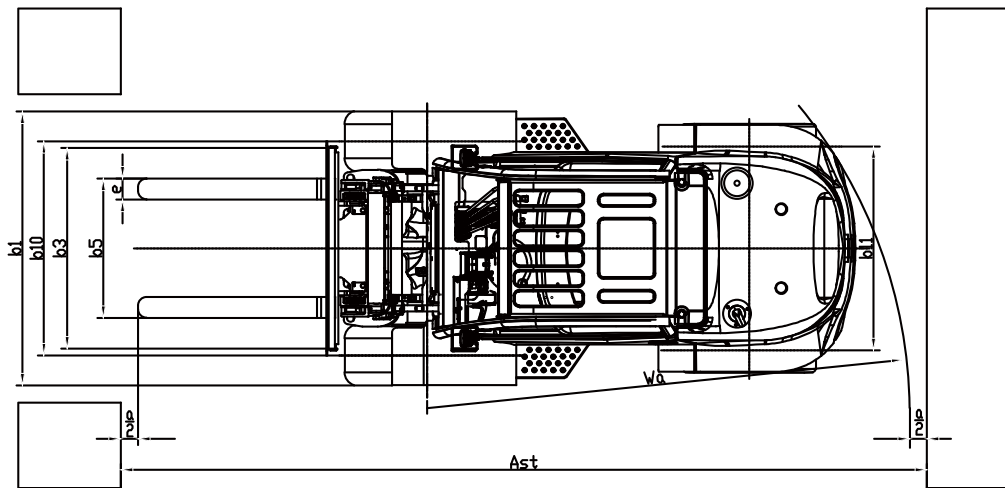
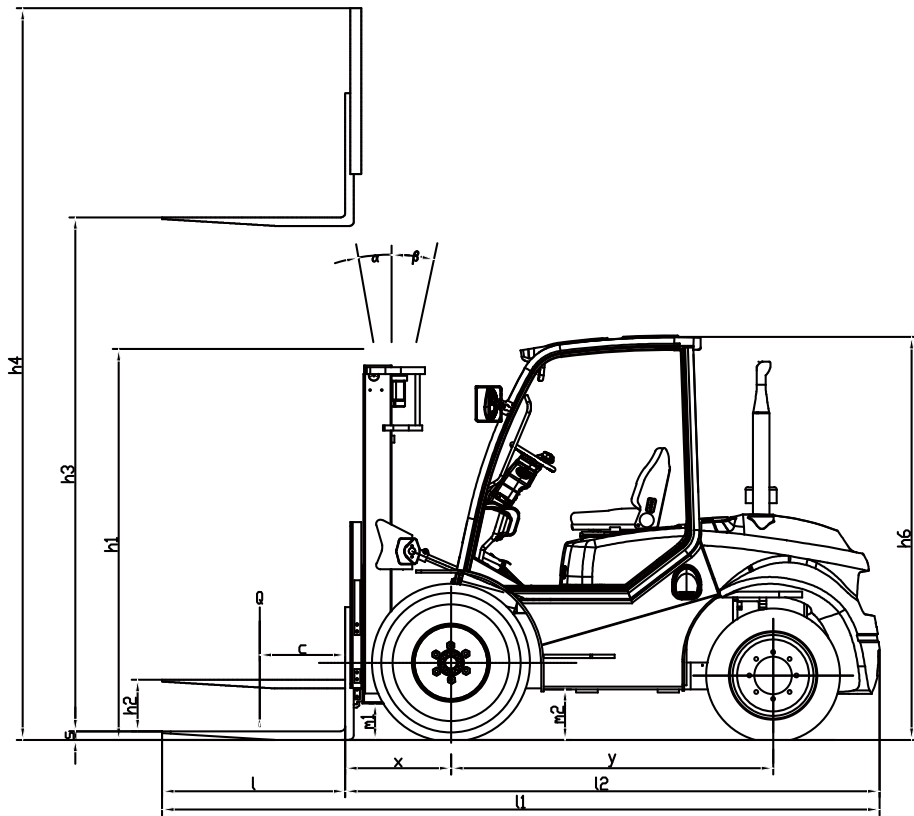
Distinguishing mark	HANGCHA GROUP CO.,LTD.			
	1.1 Manufacturer	RT25	RT30	RT35
1.2 HCFA Model		RT25	RT30	RT35
1.3 Manufacturer's type designation		CPCD25-XW98C-RT4	CPCD30-XW98C-RT4	CPCD35-XW98C-RT4
1.4 Drive: electric (battery or mains), diesel, petrol, fuel gas		Diesel	Diesel	Diesel
1.5 Operator type: hand, pedestrian, standing, seated, order-picker		Seated	Seated	Seated
1.6 Rated capacity/rated load	Q lb (kg)	5000(2289)	6000(2750)	7000(3208)
1.7 Load centre distance	c in (mm)	23.6(600)	23.6(600)	23.6(600)
1.8 Load distance, centre of drive axle to fork	x in (mm)	23(585)	24(600)	24(600)
1.9 Wheelbase	y in (mm)	74(1880)	74(1880)	74(1880)
2.1 Service Weight	lb(kg)	10692(4850)	11772(5340)	12346(5600)
2.2 Axle loading, laden front/rear	lb(kg)	13646(6190)/2557(1160)	15873(7200)/2513(1140)	17416(7900)/2645(1200)
2.3 Axle loading, unladen front/rear	lb(kg)	4696(2130)/5996(2720)	5158(2340)/6613(3000)	5071(2300)/7275(3300)
3.1 Tyres: solid rubber, superelastic, pneumatic, polyurethane		Pneumatic	Pneumatic	Pneumatic
3.2 Tyre size, front		12-16.5-14PR	14-17.5-14PR	14-17.5-14PR
3.3 Tyre size, rear		10.0/75-15.3-14PR	10.0/75-15.3-14PR	10.0/75-15.3-14PR
3.5 Wheels, number front / rear (x = driven wheels)		2x/2x	2x/2x	2x/2x
3.6 Tread, front	b10 in (mm)	49.2(1250)	49.2(1250)	49.2(1250)
3.7 Tread, rear	b11 in (mm)	46.9(1190)	46.9(1190)	46.9(1190)
4.1 Tilt of mast/fork carriage forward/backward	α/β(°)	10/12	10/12	10/12
4.2 Height, mast lowered	h1 in (mm)	87.2(2215)	92.5(2350)	92.5(2350)
4.3 Free lift	h2 in (mm)	5.5(140)	5.7(145)	5.7(145)
4.4 Lift	h3 in (mm)	118.1(3000)	118.1(3000)	118.1(3000)
4.5 Height, mast extended	h4 in (mm)	162.3(4122)	163(4142)	163(4142)
4.7 Height of overhead guard (cabin)	h6 in (mm)	94.1(2390)	95.3(2420)	95.3(2420)
4.19 Overall length	l1 in (mm)	169.5(4305)	170(4320)	170(4320)
4.20 Length to face of forks	l2 in (mm)	121.5(3085)	122(3100)	122(3100)
4.21 Overall width	b1 in (mm)	61.3(1557)	63(1599)	63(1599)
4.22 Fork dimensions ISO 2331	s/e/l in (mm)	1.6×4.8×48.3(40×122×1220)	2×4.8×48.3(50×122×1220)	2×4.8×48.3(50×122×1220)
4.23 Fork carriage DIN 15 173 --- ISO 2328, class/type A,B		B	B	B
4.24 Fork-carriage width	b3 in (mm)	45.3(1150)	45.3(1150)	45.3(1150)
4.25 Distance between fork-arms	b5 in (mm)	11.4-45.3(290-1150)	11.4-45.3(290-1150)	11.4-45.3(290-1150)
4.31 Ground clearance, laden, below mast	m1 in (mm)	9.4(240)	10.6(270)	10.6(270)
4.32 Ground clearance, centre of wheelbase	m2 in (mm)	10.2(260)	11.4(290)	11.4(290)
4.34 Aisle width	Ast in (mm)	208.9(5305)	209.4(5320)	209.4(5320)
4.35 Turning radius	Wa in (mm)	129.9(3300)	129.9(3300)	129.9(3300)
5.1 Travel speed, laden/unladen	mp/h(km/h)	14.3/15.5(23/25)	14.3/15.5(23/25)	14.3/15.5(23/25)
5.2 Lift speed, laden	fpm(m/s)	122/126(0.62/0.64)	92.5/100.4(0.47/0.51)	88.6/100.4(0.45/0.51)
5.3 Lowering speed, laden	fpm(m/s)	98.4/86.6(0.5/0.44)	98.4/88.6(0.5/0.45)	98.4/88.6(0.5/0.45)
5.5 Drawbar pull, laden	N	42000	47000	49000
5.7 Gradeability, laden	%	60	58	54
5.10 Service brake		Hydraulic	Hydraulic	Hydraulic
Parking brake		Mechanical	Mechanical	Mechanical
7.1 Engine manufacturer/type		KUBOTA V2607-CR-TE5B	KUBOTA V2607-CR-TE5B	KUBOTA V2607-CR-TE5B
Emission STD		EU StageV EPA/CARB Tier4 F	EU StageV EPA/CARB Tier4 F	EU StageV EPA/CARB Tier4 F
7.2 Engine power according to DIN ISO 1585	hp(kw)/r/min	63.4(47.3)/2400	63.4(47.3)/2400	63.4(47.3)/2400
7.3 Rated speed	ft-lb(Nm)/r/min	163.6(221.7)/1500	163.6(221.7)/1500	163.6(221.7)/1500
7.4 Number of cylinders/displacement	(-)/cu in (cm³)	4/159.6(2615)	4/159.6(2615)	4/159.6(2615)
7.10 Battery voltage/nominal capacity	V/Ah	12/90	12/90	12/90
10.3 Hydraulic Tank - capacity (drain & refill)	gal(liter)	16(60)	16(60)	16(60)
10.4 Fuel tank capacity	gal(liter)	14.5(55)	14.5(55)	14.5(55)

## 5000-7000lbs mast:(pneumatic)

Type	Model	Max.fork height	Overall height						Free lift				Front Overhang		Tilt range		Residual load capacity					
			Lowered in (mm)		Extended		Without backrest in (mm)		With backrest in (mm)		Without backrest in (mm)		With backrest in (mm)		in (mm)		FWD	BWD	Load Center 24inch			
			in (mm)	5000lbs	6000/7000lbs	5000lbs	6000/7000lbs	5000lbs	6000/7000lbs	5000lbs	6000/7000lbs	5000lbs	6000/7000lbs	5000lbs	6000/7000lbs	5000lbs	6000/7000lbs	5000lbs	6000/7000lbs	ISO 22915-2	ISO 22915-13	
Wide view mast	RTE25/35M300	118.1(3000)	87.2(2215)	92.5(2350)	148.9(3782)	157.2(3993)	162.3(4122)	163.1(4142)	5.5(140)	5.7(145)	5.5(140)	5.7(145)	23(585)	23.6(600)	10	12	5000(2289)	6000(2750)	5000(2289)	6000(2750)		
	RTE25/35M330	129.9(3300)	93.1(2365)	98.4(2500)	160.7(4082)	169(4293)	174.1(4422)	174.9(4442)	5.5(140)	5.7(145)	5.5(140)	5.7(145)	23(585)	23.6(600)	10	12	5000(2289)	6000(2750)	5000(2289)	6000(2750)		
	RTE25/35M350	137.8(3500)	97(2465)	102.4(2600)	168.6(4282)	176.9(4493)	182(4622)	182.8(4642)	5.5(140)	5.7(145)	5.5(140)	5.7(145)	23(585)	23.6(600)	10	12	5000(2289)	6000(2750)	5000(2289)	5660(2570)		
	RTE25/35M370	145.7(3700)	103(2615)	106.3(2700)	176.5(4482)	184.8(4693)	189.8(4822)	190.6(4842)	5.5(140)	5.7(145)	5.5(140)	5.7(145)	23(585)	23.6(600)	10	12	5000(2289)	6000(2750)	5000(2289)	5270(2390)		
Wide view full free triplex mast	RTE25/35M400	157.5(4000)	110.8(2815)	116.1(2950)	188.3(4782)	196.6(4993)	201.7(5122)	202.4(5142)	5.5(140)	5.7(145)	5.5(140)	5.7(145)	23(585)	23.6(600)	10	12	5000(2289)	6000(2750)	4230(1920)	4850(2200)		
	RTE25/35N400	157.5(4000)	83.3(2115)	90.6(2300)	191.3(4860)	197.8(5025)	201.7(5122)	207.4(5269)	49.4(1255)	50.2(1275)	39.1(993)	40.6(1031)	23.7(603)	24.3(618)	10	12	5000(2289)	5730(2600)	4030(1830)	4650(2110)		
	RTE25/35N430	169.3(4300)	87.2(2215)	94.5(2400)	203.1(5160)	209.6(5325)	213.5(5422)	219.3(5569)	53.3(1355)	54.1(1375)	43(1093)	44.5(1131)	23.7(603)	24.3(618)	10	12	4850(2200)	5460(2480)	3830(1740)	4250(1930)		
	RTE25/35N450	177.2(4500)	89.2(2265)	96.5(2450)	211(5360)	217.5(5525)	221.4(5622)	227.1(5769)	55.3(1405)	56.1(1425)	45(1143)	46.5(1181)	23.7(603)	24.3(618)	10	12	4400(2000)	5070(2300)	3410(1550)	3830(1740)		
	RTE25/35N470	185(4700)	93.1(2365)	100.4(2550)	218.9(5560)	225.4(5725)	229.2(5822)	235(5969)	59.3(1505)	60(1525)	48.9(1243)	50.4(1281)	23.7(603)	24.3(618)	10	12	4030(1830)	4650(2110)	2820(1280)	3040(1380)		
	RTE25/35N500	196.9(5000)	99(2515)	106.3(2700)	230.7(5860)	237.2(6025)	241(6122)	246.8(6269)	65.2(1655)	65.9(1675)	54.8(1393)	56.3(1431)	23.7(603)	24.3(618)	6	6	3830(1740)	4250(1930)	2200(1000)	2420(1100)		
RTE25/35N550	216.5(5500)	106.9(2715)	114.2(2900)	250.4(6360)	256.9(6525)	260.7(6622)	266.5(6769)	73(1855)	73.8(1875)	62.7(1593)	64.2(1631)	23.7(603)	24.3(618)	6	6	3020(1370)	3830(1740)	1600(730)	1800(820)			
RTE25/35N600	236.2(6000)	116.7(2965)	124(3150)	270.1(6860)	276.6(7025)	280.4(7122)	286.2(7269)	82.9(2105)	83.7(2125)	72.6(1843)	74.1(1881)	23.7(603)	24.3(618)	6	6	2420(1100)	3240(1470)	1210(550)	1410(640)			

With sideshifter minus 440lb(200kg),with integral sideshifter minus 220lb(100kg).







**HANGCHA FORKLIFT CANADA INC.**

**Company address:**

6-980 Rue Valois, Vaudreuil-Dorion,  
QC, J7V 8P2, Canada

Toll Free: 877-319-HCFC (4232)

Landline: 450-319-HCFC

[info@hcforkliftcanada.com](mailto:info@hcforkliftcanada.com)

[www.hcforkliftcanada.com](http://www.hcforkliftcanada.com)



ISO14001:2015



ISO9001:2015



Follow us on  
Facebook



Follow us on  
YouTube



Follow us on  
WeChat



Download "Hangcha  
Forklift" App

HANGCHA GROUP CO., LTD. reserves the right to make any changes without notice concerning colors, equipment, or specifications detailed in this brochure, or to discontinue individual models. The colors of trucks, delivered may differ slightly from those in brochures.